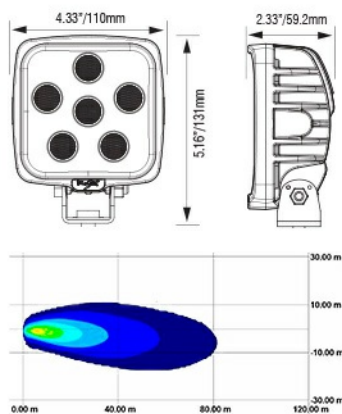




ECO LINE SQUARE



Features

- ▶ LEDs: 6 x 5W (30w)
- ▶ Housing Material: Aluminium
- ▶ Light Colour Temp: 6.000 Kelvin
- ▶ EMC/EMI Approval: CISPR25-Class 3
- ▶ Dimensions: 110/131/59.2mm
- ▶ Weight: 0.482 kg
- ▶ Voltage: 9-32V DC
- ▶ Amperage 30W: 1.25A@24V DC - 2.5A@12V DC
- ▶ Vibration Rating: 15.6 Grms
- ▶ Lens Material: Polycarbonate
- ▶ Certifications: CE, RoHS, IEC 62471

VERSATILITY MEETS LIGHT OUTPUT

The Eco Line-Series LED Light Duty offers outstanding light output in a functional design which can be easily adjusted with the single bolt bracket.

High quality construction and components enable VL-Series LED Light Duty to withstand vibration up to 15.6 Grms.

Built-in reverse polarity protection helps prevent accidental damage caused by incorrect installation.

VL-Series LED Light Duty work lighting is a high value, versatile range designed for many light duty commercial applications.

Specifications

ITEM#	Beam Pattern	Raw Lumens	Effective Lumens	Wattage
VWS050640	40° Wide	3.168 lm(ea)	2.218 lm(ea)	30 Watt (6 led)
VLS050640*	40° Wide	3.168 lm(ea)	2.218 lm(ea)	30 Watt (6 led)

*No DT Connector

