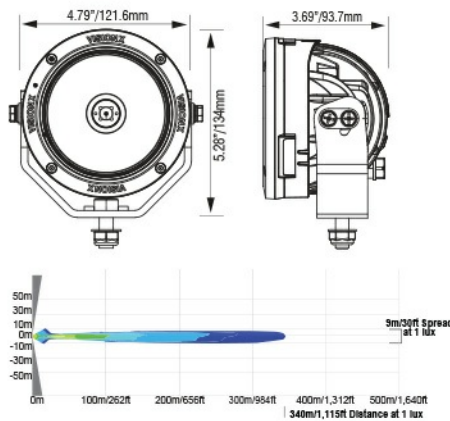




CANNON SINGLE LED GEN2 - 40 WATT



Features

- ▶ LEDs: 1 x 40W
- ▶ Housing Material: Hybrid
- ▶ Light Colour Temp: 6.000 Kelvin
- ▶ Dimensions: 121.6/134/93.7mm
- ▶ Weight: 0.91 kg
- ▶ Voltage: 9-32V DC
- ▶ Amperage: 1.67A@24V DC - 3.33A@12V DC
- ▶ Vibration Rating: 21.2 Grms
- ▶ Lens Material: Acryl
- ▶ Certifications: CE, RoHS, IEC 62471

SINGLE LED FOR FOCUSED DISTANCE OUTPUT

Single LED CG2 Light Cannons take lighting to uncharted territory with incomparable distances. The industry-leading Luminous Big Chip LED and Iris Reflector throws a violent blast of light that penetrates the night up to 3,500 feet. If you need superior distance from your lighting, this is the solution.

Cannon GEN 2 - 40 Watt Usage Guide

WEATHERPROOF CONNECTOR

The Deutsch plug ensures the functionality of every Light Cannon even in the harshest conditions.

HEAT MANAGEMENT SYSTEM

Advanced circuitry and aluminum heat sink design ensures maximum light output during sustained periods of use.

ADJUSTABLE AIMING SYSTEM

Steel trunnion mount provides 45° of lighting adjustment secured by a robust locking system.

BUILT FOR HARSH CONDITIONS

The IP-68 / 69K certified housing ensures a water tight seal even when completely submerged.

Specifications

ITEM#	Beam Pattern	Raw Lumens	Effective Lumens	Wattage
CG2-CPZ110	10° Narrow	3.000 lm(ea)	2.100 lm(ea)	40 Watt
CG2-CPZ110KIT	10° Narrow	2 x 3.000 lm(ea)	2 x 2.100 lm(ea)	2 x 40 Watt

